



10/100Base-T Singel Port Transformers



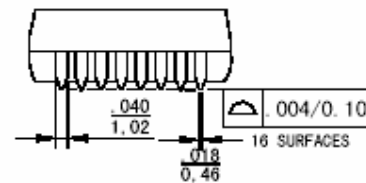
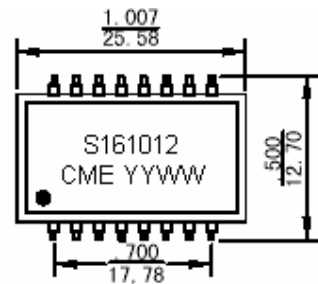
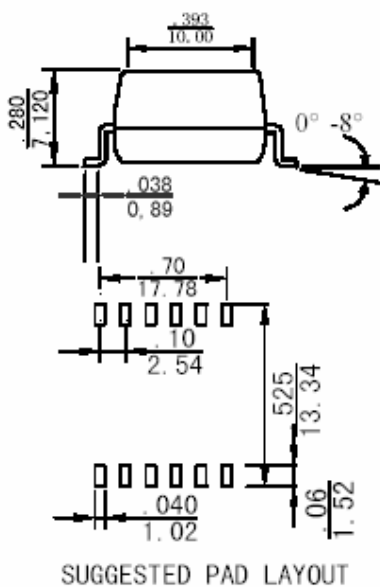
PART NUMBERING SYSTEM



FEATURES

- 1:1 transmit turns ratios compatible with various IC manufacturers.
- Meets all IEEE standards including **350uH OCL with 8mA bias**
- RoHS compliant
- **RoHS compliant peak solder rating 235°C**

SHAPES AND DIMENSIONS





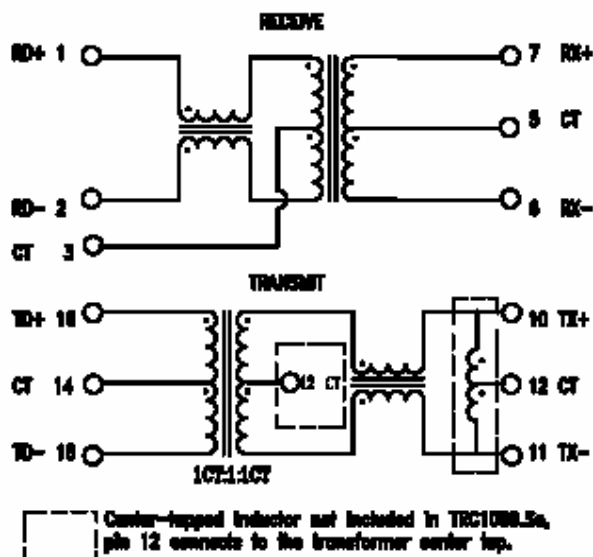
10/100Base-T Singel Port Transformers



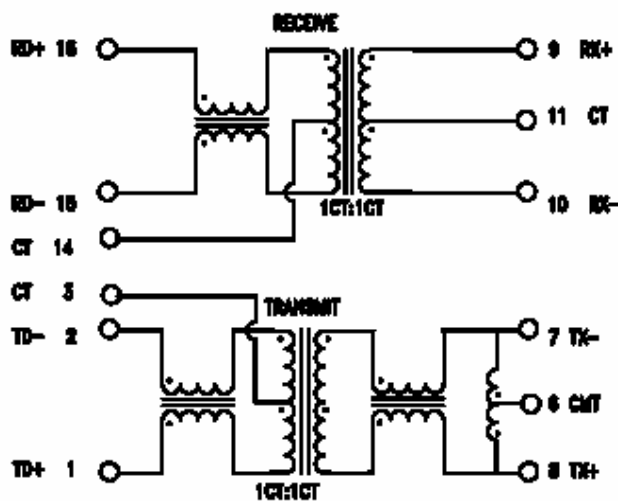
RoHS Compliant

Schematics

S16-1012-LF , S16-1086-LF , S16-1148-LF, S16-1138-LF



S16-88517-LF , S16-1019-LF





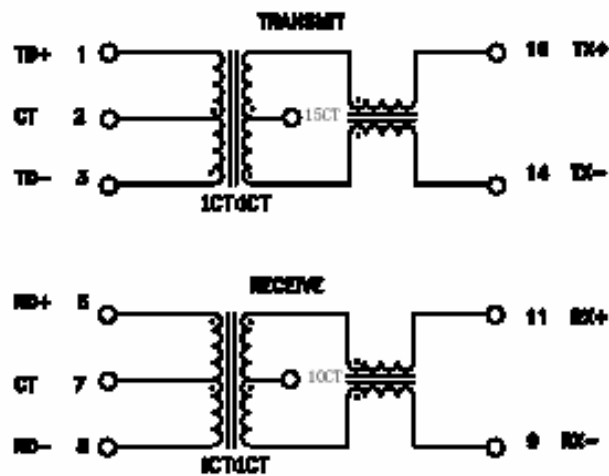
10/100Base-T Singel Port Transformers



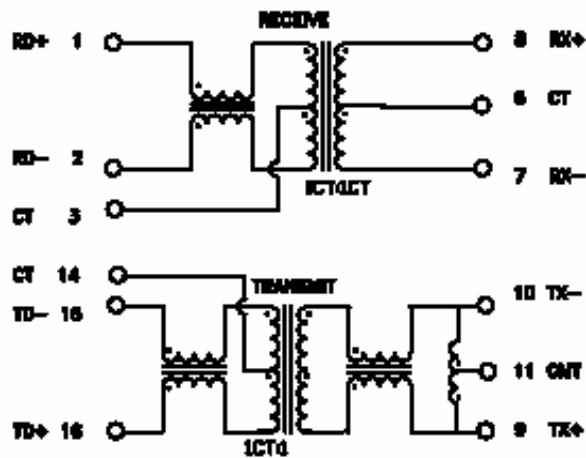
RoHS Compliant

Schematics

S16-1117-LF , S16-1178-LF



S16-1042-LF





10/100Base-T Singel Port Transformers



RoHS Compliant

ELECTRICAL CHARACTERISTICS :

PART NUMBER	Insertion Loss(dB Max)	Return Loss (dB Min @ 100 Ω) MHz				Differential to Common Mode Rejection(dB Min)			Crosstalk (dB Typ)			Hipot (Vrms Min)
		0.1-1000MHz	1-30MHz	40MHz	50MHz	60-80	30MHz	60MHz	100MHz	30MHz	60MHz	
S16-1012-LF	-1.0	-20	-20	-18.0	-14.0	-42	-36	-33	-50	-40	-40	1500
S16-1019-LF	-1.0	-20	-20	-18.0	-14.0	-45	-40	-35	-45	-40	-35	1500
S16-1086-LF	-1.0	-20	-20	-18.0	-12.0	-45	-40	-35	-50	-40	-40	1500
S16-1042-LF	-1.0	-16	-13.5	-11.5	-10.0	-45	-40	-35	-40	-38	-35	1500
S16-1089-LF	-1.0	-22	-20	-18.0	-12.0	-42	-38	-32	-50	-40	-40	1500
S16-1117-LF	-1.0	-22	-20	-18.0	-12.0	-45	-40	-35	-50	-40	-40	1500
S16-1138-LF	-0.8	-18	-16	-14.0	-12.0	-42	-47	-33	-50	-40	-40	1500
S16-1148-LF	-1.5	-18	-13.5	-11.5	-10.0	-42	-47	-33	-50	-40	-40	1500
S16-1178-LF	-1.5	-18	-13.5	-11.5	-10.0	-42	-47	-33	-50	-40	-40	1500
S16-88515-LF	-1.0	-18	-18	-16.0	-12.0	-50	-45	-40	-55	-50	-50	1500
S16-88517-LF	-1.0	-18	-16	-15.0	-12.0	-45	-40	-35	-50	-40	-40	1500

- 1) Operating temperature -40°C to +85°C
- 2) Electrical specifications at 25°C